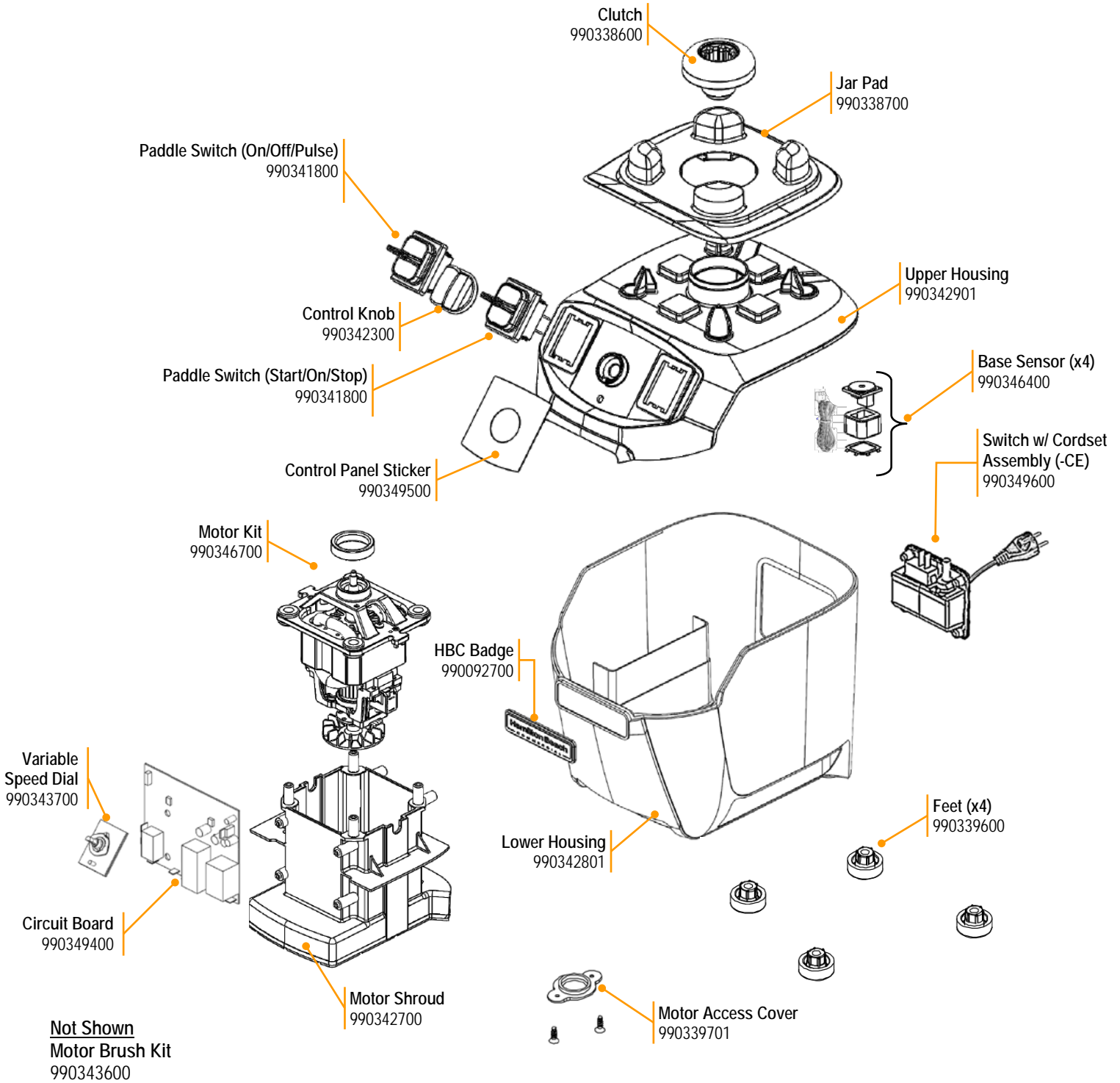



## Parts & Accessories Diagram

**PROPRIETARY RIGHTS NOTICE** This document and all information contained within it is the property of Hamilton Beach Brands, Inc. (HBB). It is confidential and proprietary and has been provided to you for a limited purpose. It must be returned or destroyed upon request. Disclosure, reproduction or use of this document and any information contained within it, in full or in part, for any purpose is forbidden without the prior written consent of HBB. No photographs may be taken of any article fabricated or assembled from this document without the prior written consent of HBB.

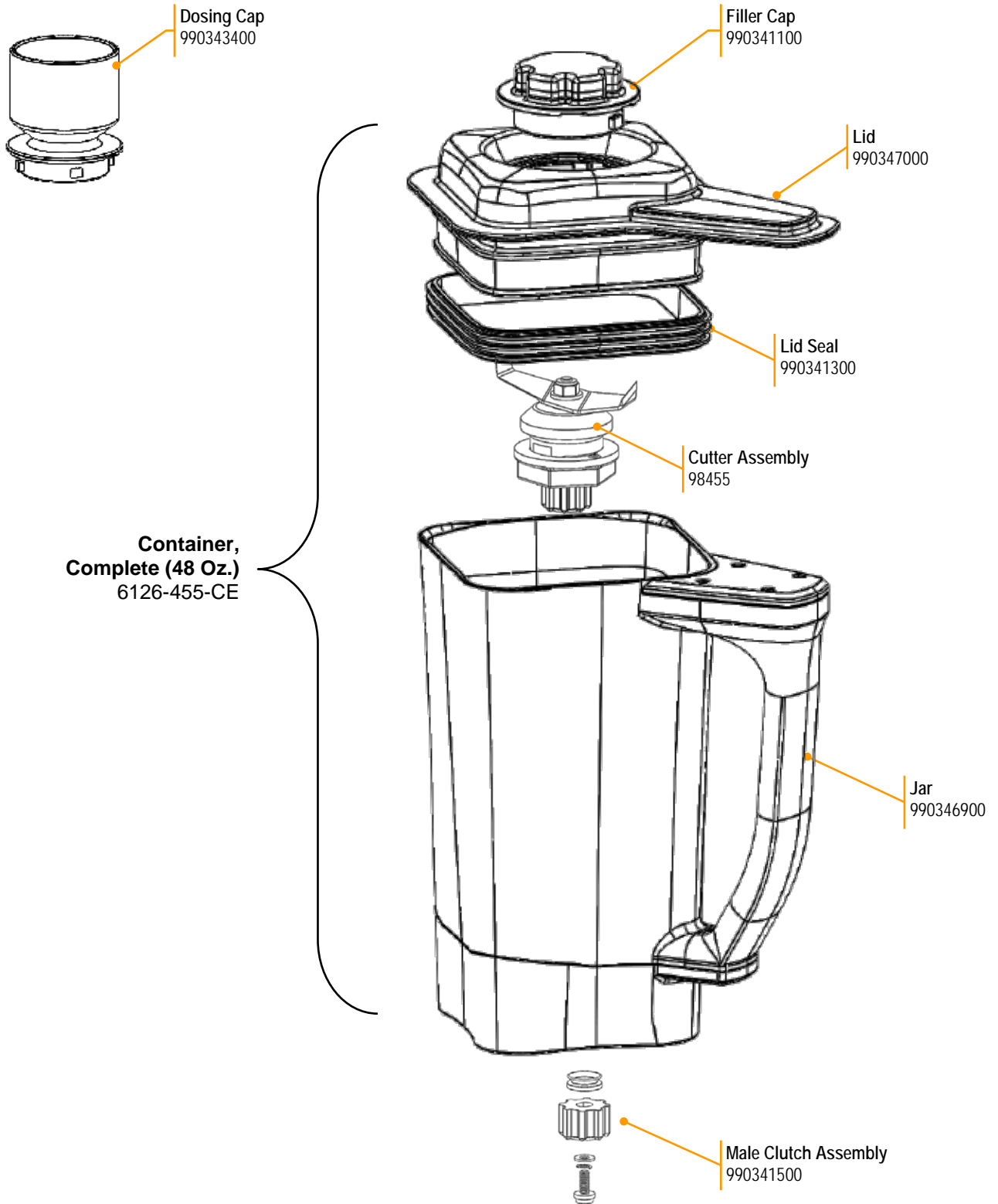
### Replacement Parts




 4421 Waterfront Drive Glen Allen, VA 23060	Revision Description:	Production Release.					Rev. Date:
	Request #:	DOC10867	Page:	1 of 3	Document #:	540101604	3/27/2020
							Rev: <b>A</b>

## Parts & Accessories Diagram

**PROPRIETARY RIGHTS NOTICE** This document and all information contained within it is the property of Hamilton Beach Brands, Inc. (HBB). It is confidential and proprietary and has been provided to you for a limited purpose. It must be returned or destroyed upon request. Disclosure, reproduction or use of this document and any information contained within it, in full or in part, for any purpose is forbidden without the prior written consent of HBB. No photographs may be taken of any article fabricated or assembled from this document without the prior written consent of HBB.

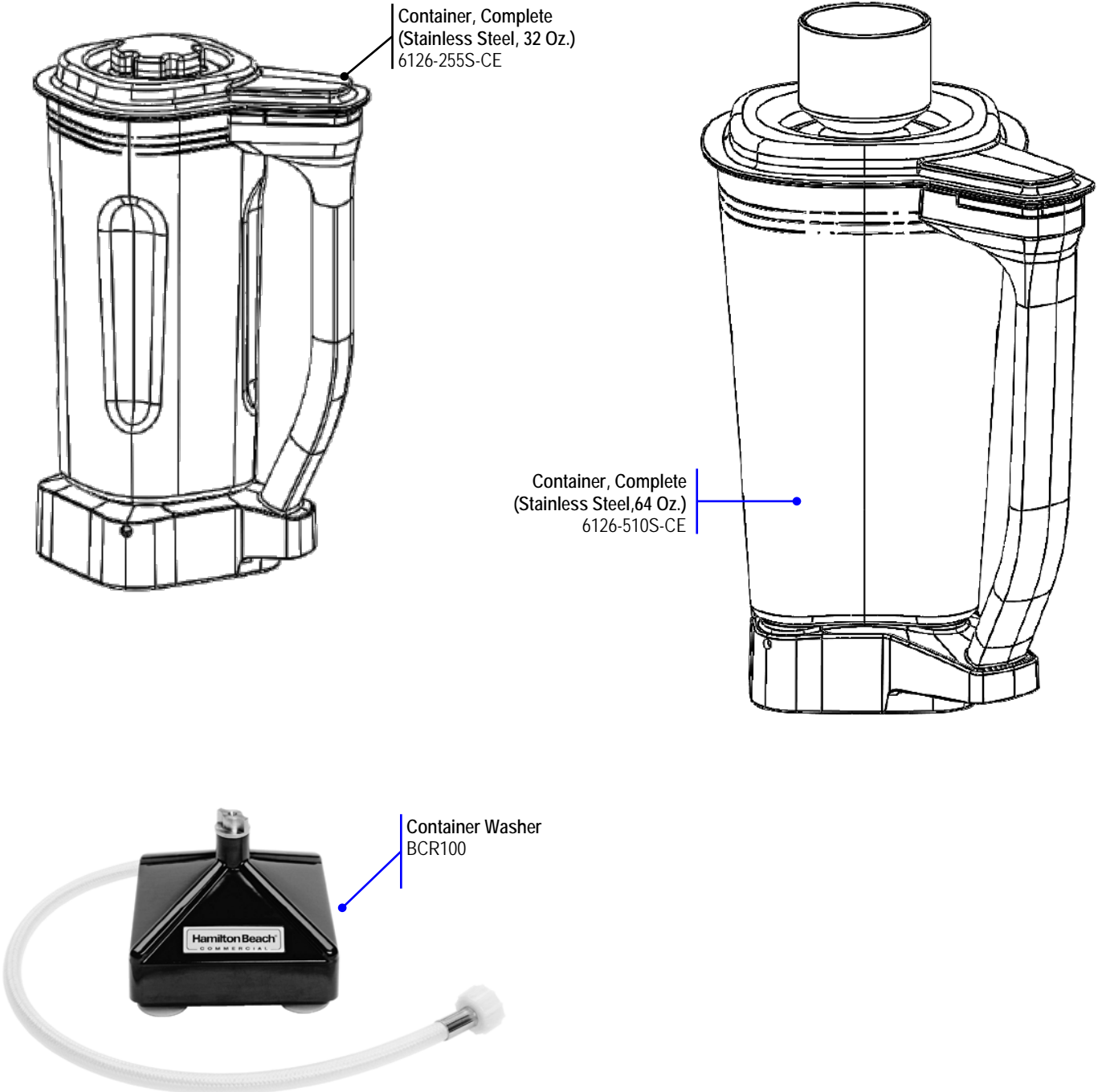


 4421 Waterfront Drive Glen Allen, VA 23060	Revision Description:	Production Release.					Rev. Date:
	Request #:	DOC10867	Page:	2 of 3	Document #:	540101604	Rev: <b>A</b>

## Parts & Accessories Diagram

**PROPRIETARY RIGHTS NOTICE** This document and all information contained within it is the property of Hamilton Beach Brands, Inc. (HBB). It is confidential and proprietary and has been provided to you for a limited purpose. It must be returned or destroyed upon request. Disclosure, reproduction or use of this document and any information contained within it, in full or in part, for any purpose is forbidden without the prior written consent of HBB. No photographs may be taken of any article fabricated or assembled from this document without the prior written consent of HBB.

### Accessories



4421 Waterfront Drive Glen Allen, VA 23060	Revision Description:	Production Release.					Rev. Date:
	Request #:	DOC10867	Page:	3 of 3	Document #:	<b>540101604</b>	Rev: <b>A</b>